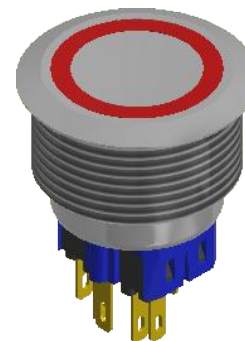
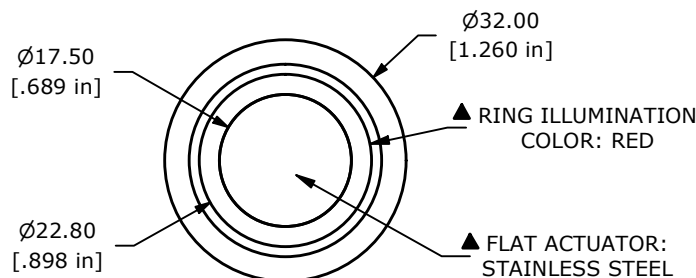
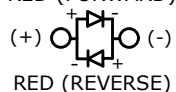
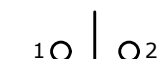


PANEL CUTOUT  
MAX. PANEL THICKNESS 10mm



SWITCH FUNCTION	
POS. 1	POS. 2
1-2 ON 3-4 OFF	1-2 (OFF) 3-4 (ON)

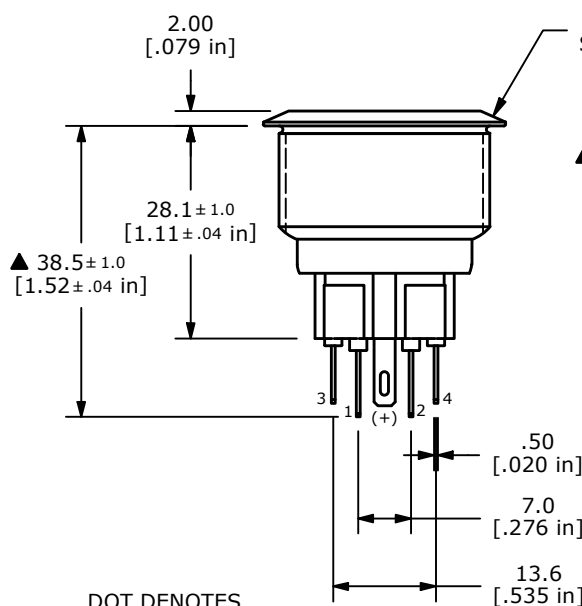


( ) = MOMENTARY

CONTACT CONFIGURATION  
▲ SPDT ON-(OFF) / OFF-(ON)  
( ) DENOTES MOMENTARY FUNCTION

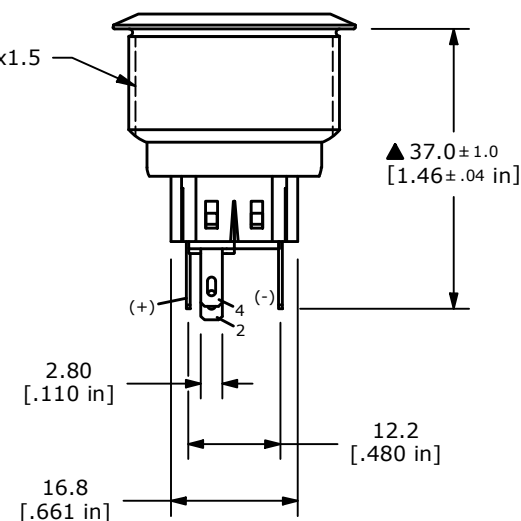
NOTE:

- ALL DIMENSIONS IN MM [INCH]
- GENERAL TOLERANCE: X.X = ± 0.4  
X.XX = ± 0.25
- TERMINAL NUMBERS FOR REF. ONLY
- RATING: 2A @ 48VDC
- CONTACT RESISTANCE: 50mΩ MAX. @ 1A 12VDC
- INSULATION RESISTANCE: 1,000MΩ @ 500VDC
- DIELECTRIC STRENGTH: 2,000VAC MIN. FOR 1 MINUTE
- ELECTRICAL LIFE: 50,000 CYCLES
- OPERATING TEMPERATURE: -20°C to 55°C
- INGRESS PROTECTION: IP66
- SUPPLIED HARDWARE: O-RING AND HEXNUT
- ▲ DENOTES CRITICAL PARAMETER
- ▲ ILLUMINATION COLOR: RED
- ▲ ILLUMINATION VOLTAGE: 12V

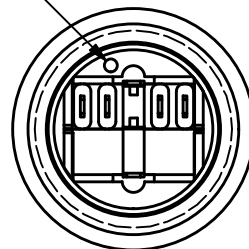


▲ BODY:  
STAINLESS STEEL

▲ M28x1.5



DOT DENOTES  
LED COLOR



C	24647	UPDATE THREAD LENGTH TO 15.0	12/18/20	JM
B	23840	UPDATED RATING TO IP66	4/8/19	MJR
A	22747	RELEASE FOR PRODUCTION	3/7/17	MW
REV	PCR NO	DESCRIPTION	DATE	BY



TITLE PV9F2Y0SS-314				
SCALE 1:1	DATE 3/7/2017	DR MW	DWG 52-PV9F2Y0SS314	REV C